

Manual

C5 Clam heat press



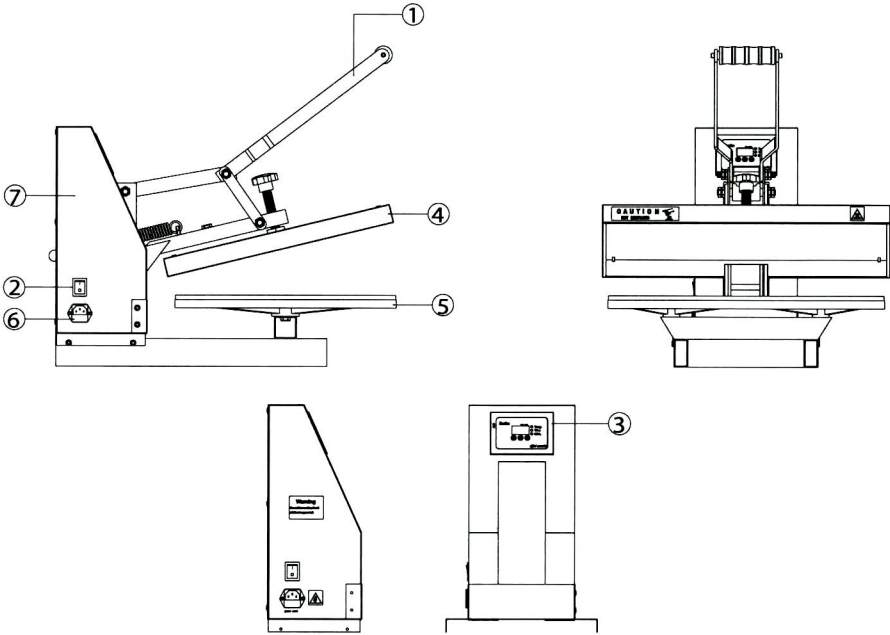
Safety precautions

Please read these instructions and safety precautions carefully before using your press for the first time!

- Never reach into the heat press with your hands when it is connected to the power supply, particularly when it is switched on and heated up – danger of severe burns!
- Never open the housing or attempt to modify the machine yourself.
- In case you are requested by the customer support to open the heating plate cover, please make sure you are wearing respiratory protection and only touch the contained insulation wool with gloves. Any disposal of the wool must be contained in a closed bag.
- Ensure that liquids and metal objects do not get into the inside of the heat press.
- Ensure that the power socket used is grounded. Note that it is only permissible to operate a heat press from a power socket protected by a ground fault protection switch.
- Disconnect machine from power outlet when not in use!
- Never operate the heat press within the reach of children and never leave the machine unsupervised when switched on.
- Ensure that the machine is used only in dry rooms.

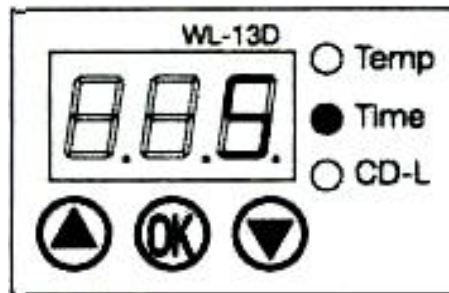
If you cannot observe one or more of the safety precautions above, or if you are not sure whether all points are satisfied, please contact our Technical Support Department.

Machine description



- 1. Press lever
- 2. On/Off switch
- 3. Digital Controller
- 4. Heating plate
- 5. Base plate
- 6. Connection for power supply and automatic fuse
- 7. Housing

Digital Controller



Operation

- Connect the heat press to a 230 V power socket using the connection cable supplied.
- The display shows „OFF“.
- Switch on the press with the red rocker switch. The display shows „-f-“ (Fahrenheit) or „-c-“ (Celsius)
- Use “UP” or “DOWN” to set °C or °F and press OK. The „Temp“ LED is flashing.
- Use “UP” or “DOWN” to set the desired temperature and press OK. The “Time” LED is flashing.
- Use “UP” or “DOWN” to set the desired time and press OK.
- The display shows the current temperature.
- An acoustic signals sounds as soon as the press is heated up.
- You can now make the first transfers. The timer starts running as soon as the press is closed with the press lever.
- 3 seconds before the end a warning signal sounds. After the set time has expired, the press opens automatically.
- The contact pressure can be adjusted with a wheel on the surface of the press. Clockwise rotation causes less pressure - counter clockwise rotation causes more pressure.
- The settings cannot be changed during pressing.

Note: Please note that a certain time is required before the press cools down after it is switched off.

Konformitätserklärung - Statement of Conformity

Hiermit erklären wir in alleiniger Verantwortung, dass das unter „9. Technische Daten“ genannte Produkt mit den Bestimmungen der folgenden EG-Richtlinien und Normen übereinstimmt:

We herewith declare under sole responsibility that the under „9. technical data“ mentioned product meet the provisions of the following EC Directives and Harmonized Standards:

EG-Richtlinien / EC Directives:

2006/95/EG Niederspannungsrichtlinie

2006/95/EC Low Voltage Directive

98/37/EG Maschinenrichtlinie (2006/42/EG ab 29.12.2009)

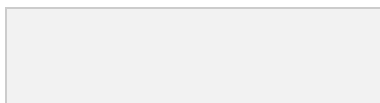
98/37/EC Directive on machinery (from 2009-12-29: 2006/42/EC)

Norm / Standard:

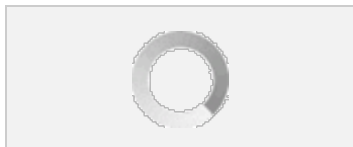
EN 60204-1:2006

Technische Dokumente bei / Technical documents at:

NEPATA Vertrieb GmbH, Hochstatt 6-8, 85283 Wolnzach, Germany



Dipl. Ing. Fabian Franke



Dipl. Ing.(FH) Bernhard Schmidt